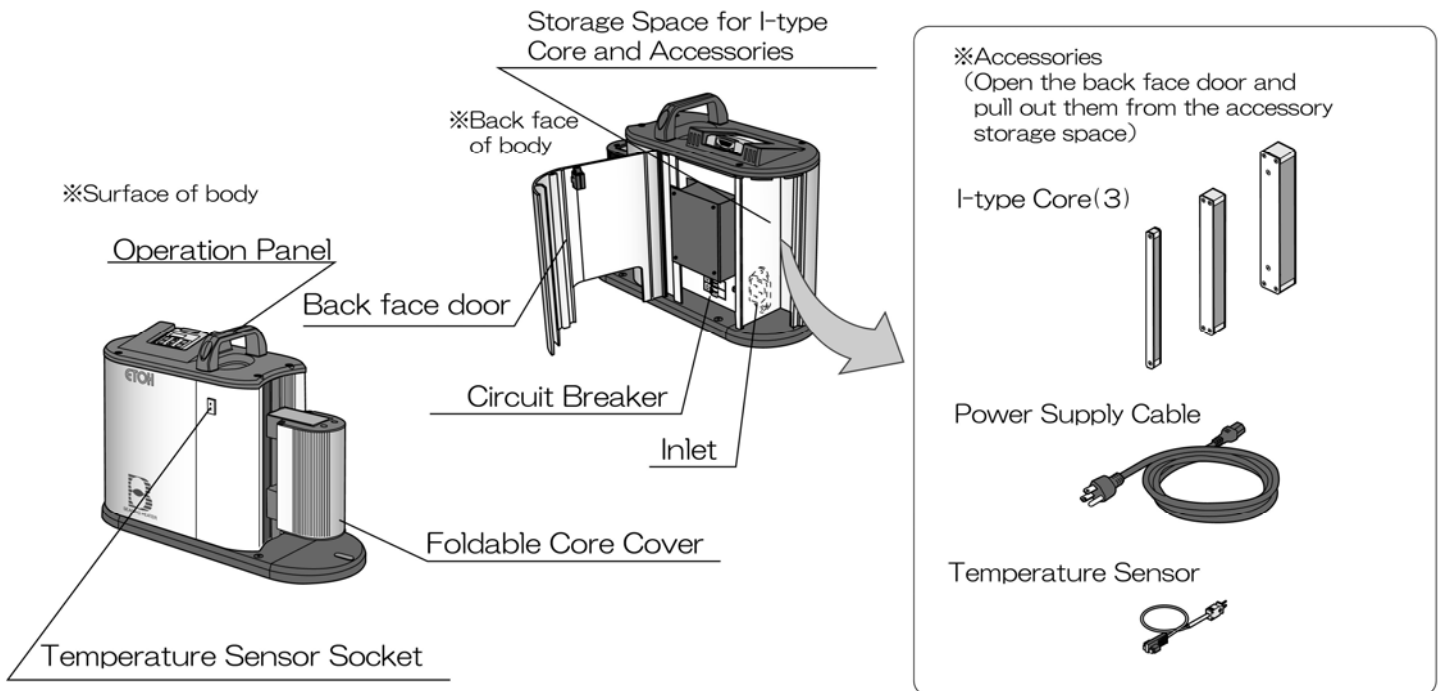


User's Guide

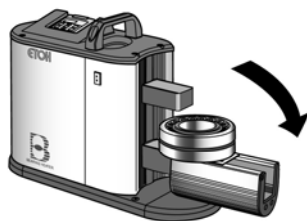
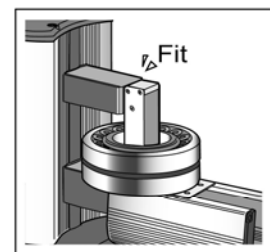
The aim of this manual is user's brief and easy understanding of overall of settings and operation. Please be sure to refer to the Instruction Manual whenever and for further information.

Name of Parts



Preparing for heating

1. Connect the power supply cable to inlet of the unit. Insert a plug in the socket of the power supply.
2. Open the foldable cover and mount the bearing.



4. Turn on the circuit breaker.

※Confirm that contact status color on the breaker is RED.
(ON→RED, OFF→GREEN)
※The display is shown as below in this stage if the temperature sensor is not connected.



3. Set up the I-type core, through the bore of the bearing. Then set the temperature sensor.

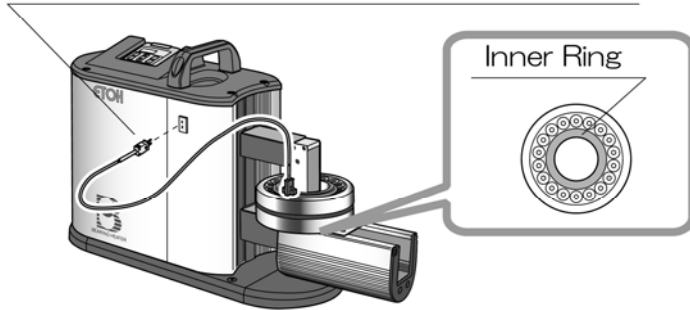
※Make sure the polished face of the I-type core and the polished face of the main core meet.

※Apply grease enough to the polished face in order to avoid the noise and the vibration.

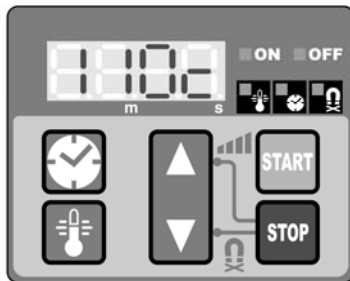
Heating with the temperature control mode

1. Connect the temperature sensor to the sensor socket.
Set the sensor on to the inner ring.

※ Be aware of the polarity (「+」 and 「-」) of the sensor.



※The control panel indicates as below when the temperature sensor was connected.
(Default setting is 110°C.)



2. Push the button  , set the heating temperature.

※If the mode is timer control mode, push the button  and set the temperature.

3. Push the button , and start heating.
4. It beeps when the set temperature is reached.
Push the button. 

※In the temperature control mode, after the temperature reaches the set temperature, the temperature is kept (controlled) at the set temperature until STOP button is pressed.

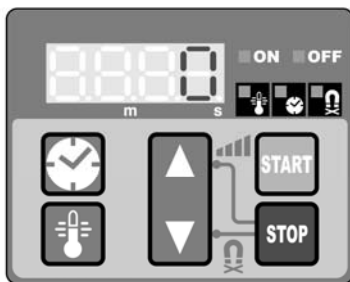
※It starts demagnetization automatically when you put STOP button.

5. Remove the temperature sensor and I-type core.
6. Remove the bearing.
※Since the bearing is hot, wear the gloves.


Heating with the timer control mode

1. Push the button , set the timer control mode.

※The timer set range is up to 99min59sec.
(Default setting is 0sec.)



3. Push the button , and start heating.
4. When the heating is done, the demagnetization starts automatically and the buzzer beeps.

5. Push the button , stop the buzzer.
6. Remove the temperature sensor and I-type core.
7. Remove the bearing.

※Since the bearing is hot, wear the gloves.

2. Push the button  , set the heating time.

Etoh Inc. www.eto-inc.com

Factory/Operation Office
2-2-7 Maeda YahataHigashi-ku Kitakyushu City,
Fukuoka, Japan 805-0069
TEL:+81-93-681-5338 FAX:+81-93-671-3221
info@eto-inc.com